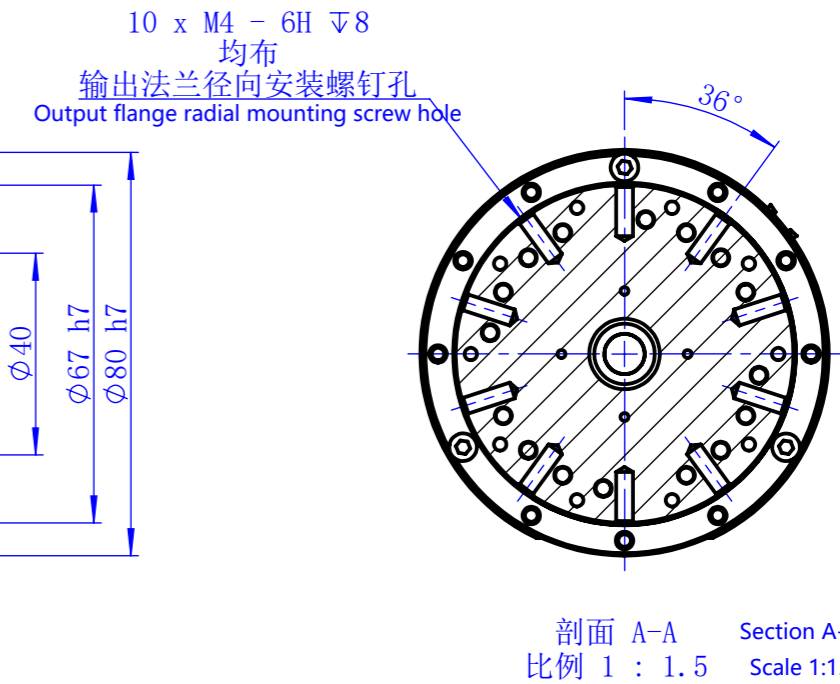
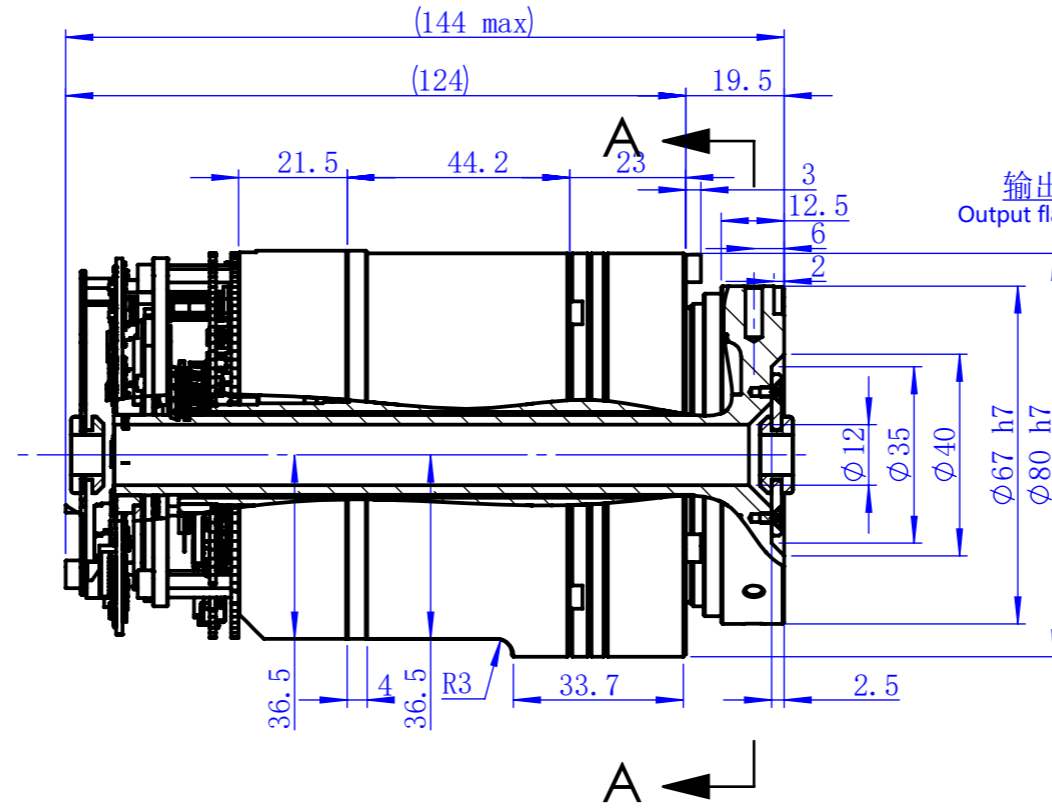
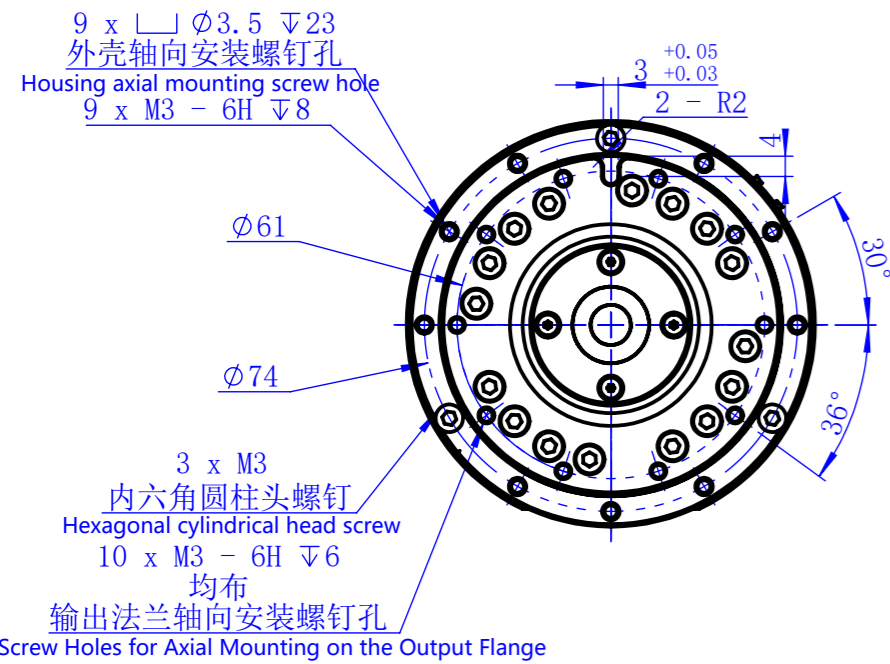


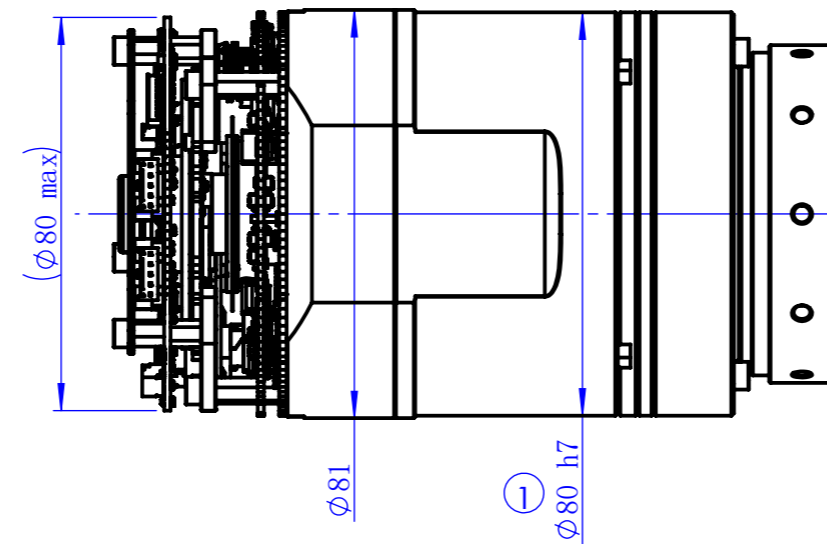
修订记录

标记	处数	变更内容	签字	日期
1	1	修改公差	陈天华	2020/7/21

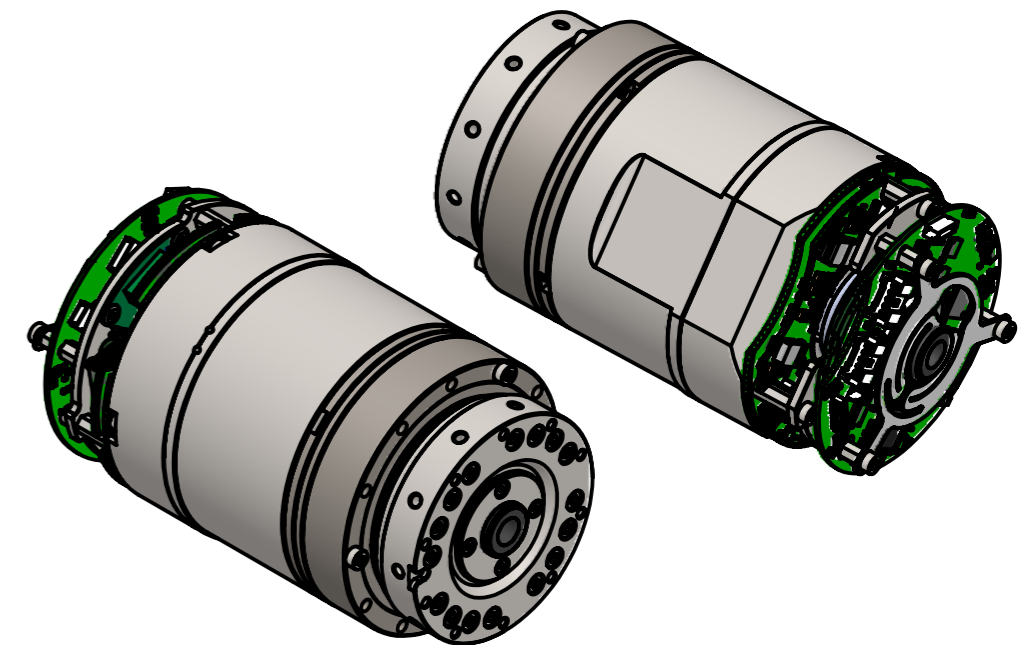


机械参数	单位	数值
Mechanical Parameters	Units	Values
减速器速比	—	101
Reducer Ratio	—	101
减速器背隙	arcsec	10
Reducer Backlash	arcsec	10
转动精度	arcmin	1
Rotational Accuracy	arcmin	1
平均负载转矩	N·m	49
Average Load Torque	N·m	49
启停容许转矩	N·m	66
Start/Stop Allowable Torque	N·m	66
最大瞬时转矩	N·m	134
Maximum Instantaneous Torque	N·m	134
最大许用弯矩	N·m	72
Maximum Permissible Bending Moment	N·m	72
最大瞬时弯矩	N·m	140
Maximum Momentary Bending Moment	N·m	140
额定转速	rpm	20
Rated Speed	rpm	20
最大转速	rpm	29
Maximum Speed	rpm	29
关节重量	kg	1.9
Joint Weight	kg	1.9
关节直径	mm	80
Joint Diameter	mm	80
关节长度	mm	124
Joint Length	mm	124

电气参数	单位	数值
Motor Parameters	Units	Values
极对数	—	6
Number of Poles	—	6
额定功率	W	148
Rated Power	W	148
额定电压	VDC	48
Rated Voltage	VDC	48
额定电流	Arms	5.7
Rated Current	Arms	5.7
额定转速	rpm	2000
Rated Speed	rpm	2000
额定转矩	N·m	0.7
Rated Torque	N·m	0.7
转矩常数	N·m/A	0.12
Torque constant	N·m/A	0.12
线反电动势	Vrms/krpm	10
Back Electromotive Force Coefficient	Vrms/krpm	10
抱闸	—	24/12VDC电磁摩擦式
Brake	—	24/12VDC electromagnetic friction type
输出端反馈	—	17位单圈绝对值
Output Feedback	—	17-bit single-turn absolute value
电机反馈	—	UVW霍尔+20000P/R增量编码器
Motor Feedback	—	UVW Hall + 20000 P/R Incremental Encoder
通讯接口	—	EtherCAT/CANopen
Communication Interface	—	EtherCAT/CANopen



视图 B View B
比例 1 : 1.5 Scale 1:1.5



技术说明

1. 紧固螺钉需采用12.9级或以上螺钉并按标准拧紧;
2. 输出法兰可选用轴向或径向两种安装方式;
3. 可选: 输出前端盖可选用RJS II-17前端盖, 方便与RJS II-17模组直接装配;
4. 可选: 嵌入式单维力矩传感器前端盖可选;
5. 可选: 驱动器可与模组分开安装以最大限度缩短长度, 如有需要请联系我们;
6. 121速比可选;
7. 支持OEM客户定制。

Technical Description

1. Fastening screws should use screws of grade 12.9 or higher and be tightened according to the standard.
2. The output flange can be optionally installed axially or radially.
3. Optional: The RJS II-17 front cover can be selected for easy assembly with the RJS II-17 module;
4. Optional: The front cover with an embedded single-axis torque sensor is available.
5. Optional: The drive can be separately installed from the module to minimize length. Please contact us if needed.
6. 121 gear ratio is optional.
7. Supports OEM customization.

TR 泰科机器人
TECH ROBOTS

☎ 400-856-5198

✉ sales@techsoft-robots.com

🌐 www.techsoft-robots.com